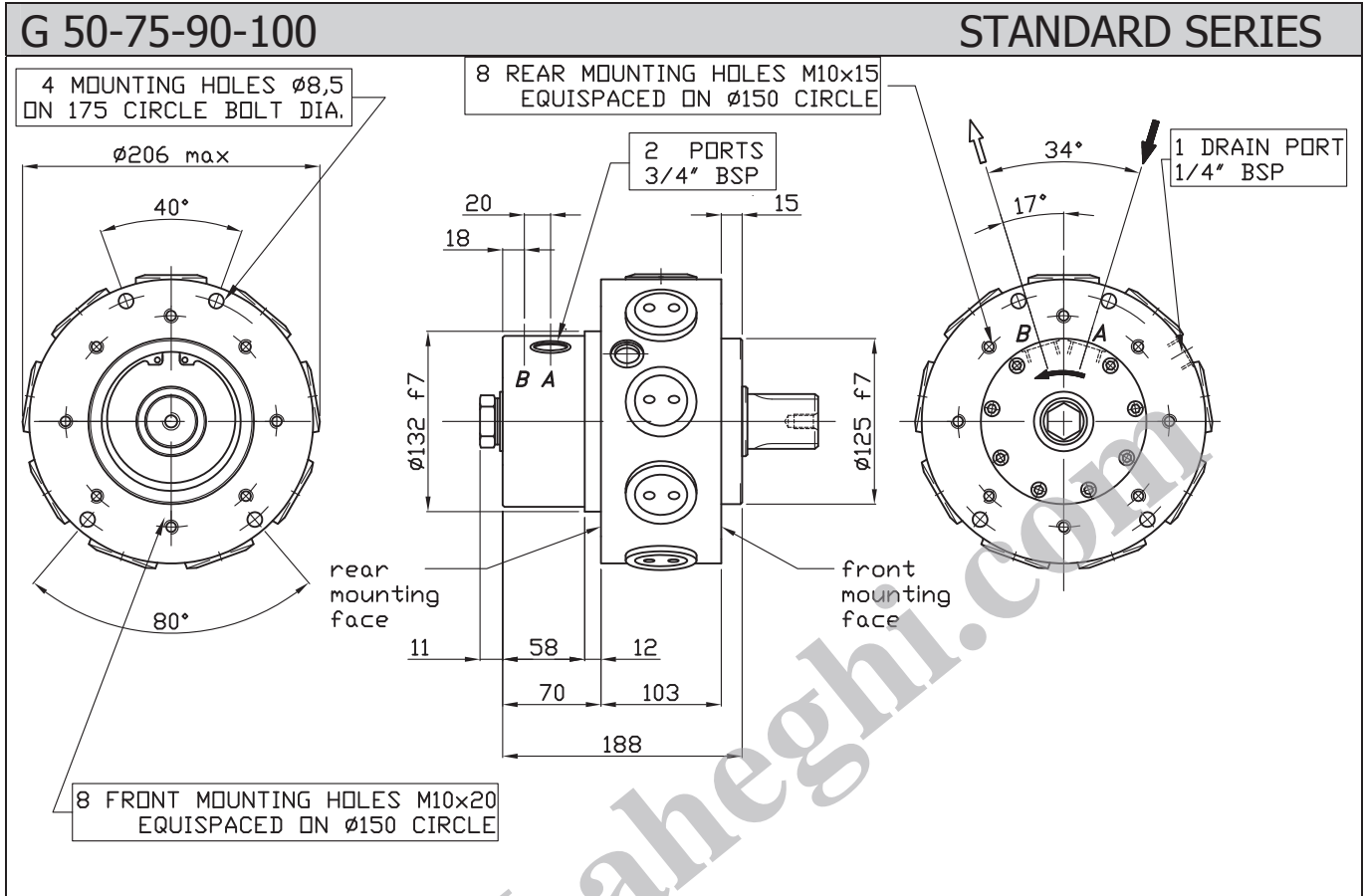


# SIZE



# SHAFT

